



SX5CT OSCILLATOR

Specifications

Parameters	Standard	Options
Frequency range	10,0 MHz - 52,000 MHz	
Logic output	HCMOS / TTL	
Frequency stability		
Overall	+/- 5,0 ppm	+/-3,0 ppm best possible
Initial at 25°C	Please specify	
Temperature		
vs supply voltage change		
vs load change		
Aging first year		
Aging over Years		
Operating temperature	0° C ~ +70°C	-20°C ~ +70°C -30°C ~ +75°C Other on custom request
Storage temperature	-40°C ~ +85°C	-55°C ~ +125°C
Supply voltage	5,0 V ± 5%	3,3 V ± 5%
Current	20,0 mA max	
Duty Cycle	45 / 55 %	
Rise/fall times	5 ns max.	
Load	15 pF or 2TTL	
Jitter	Please specify (if required)	
Phase noise		
Harmonics		
Sub-harmonics		
Start-up time	4 ms max.	Other on custom request
Tristate	High or open = enable Low = disable	no tristate with voltage control option
Marking	Freq + Code + Week +Year	
Voltage Control Options		
External control voltage	+2,5 VDC ±2,0 VDC (5,0V)	+ 1,65 VDC ±1,35 VDC (3,3V)
Linearity	± 10% max.	
Frequency tuning range	± 5 ppm	Other on custom request
Pulling slope	Positive	

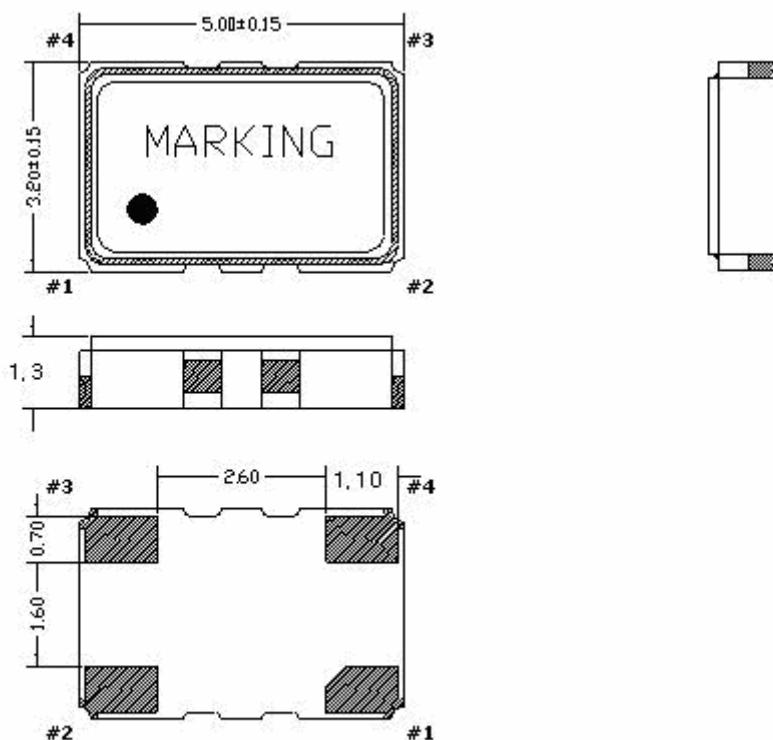
SX5CT OSCILLATOR

Specifications

Drawing

Package

SX5



pin configuration

#1 : E/D or Vco

#2 : GND

#3 : Output

#4 : Vcc

HM International
 Demer 26 B-2230 Herselt BELGIUM
 Tel. +32(0)14548955 Fax. +32(0)14549443
 email : info@hminernational.be www.hminernational.be